

# SUMMIT SERIES

Industrial Wireless Radio Remote Control System



## SK1400/2400

### Features & Benefits

- Puts operator in total control of equipment from the plant floor
- 1- or 2-speed, 4-motion
- **Red Mushroom pushbutton** (mainline contactor control)
- **Range: Up to 1000 feet maximum power** (8 power settings available)
- **Remote Pairing Function** (Match TX to RX in field)
- **Manual Channel Scan** (Manually search for best available channel for transmission)
- **TX Power Consumption = 28mA**
- **Power Indicator on RX** for troubleshooting ease
- **Start up/Shut down alarm** (No external alarm needed)
- **Receiver & transmitter enclosure: IP65 glass reinforced nylon**
- **Pre-wired receiver for quick and easy installation**
- **Operation Frequency: 430 - 435 MHz unlicensed**
- **25KHz Channel Spacing**

### Safety

The wireless technology incorporates the latest advancements in RF and microprocessor design. Such features as watchdog error circuitry, output relay monitoring, FDDI (Frequency Deviation Deflection Indicator), and programmable password protection\* all insure safe wireless operation of your equipment. Most of all, wireless technology removes the operator from harm's way. The operator can choose the safest and most convenient operation position. \* Factory programming required

### Reliability

All products are backed by Control Chief's years of experience in the material handling market. Our team of qualified engineers are ready to provide you prompt professional service whenever and wherever you need it. This commitment to reliability is backed by a 1-year warranty, the best in the industry.

CONTACT YOUR DEALER TODAY:

**Gulf Atlantic**

INDUSTRIAL EQUIPMENT INCORPORATED  
Concrete, Aggregate, and Material Handling Equipment

Concrete Solutions with Rock Solid Results

800-792-7427

**CONTROL CHIEF**

WIRELESS SOLUTIONS

# SUMMIT SERIES

## Technical Specifications

### Overall Specifications

- 70 Operating channels
- Over one million sets of ID codes
- Channel space = 25 KHz
- Hamming distance  $\geq 4$
- Enhanced glass-fiber structure
- Operating environment  $-40^{\circ}\text{C} \sim +85^{\circ}\text{C}$
- Operating distance up to 300 M

### Transmitter Specifications

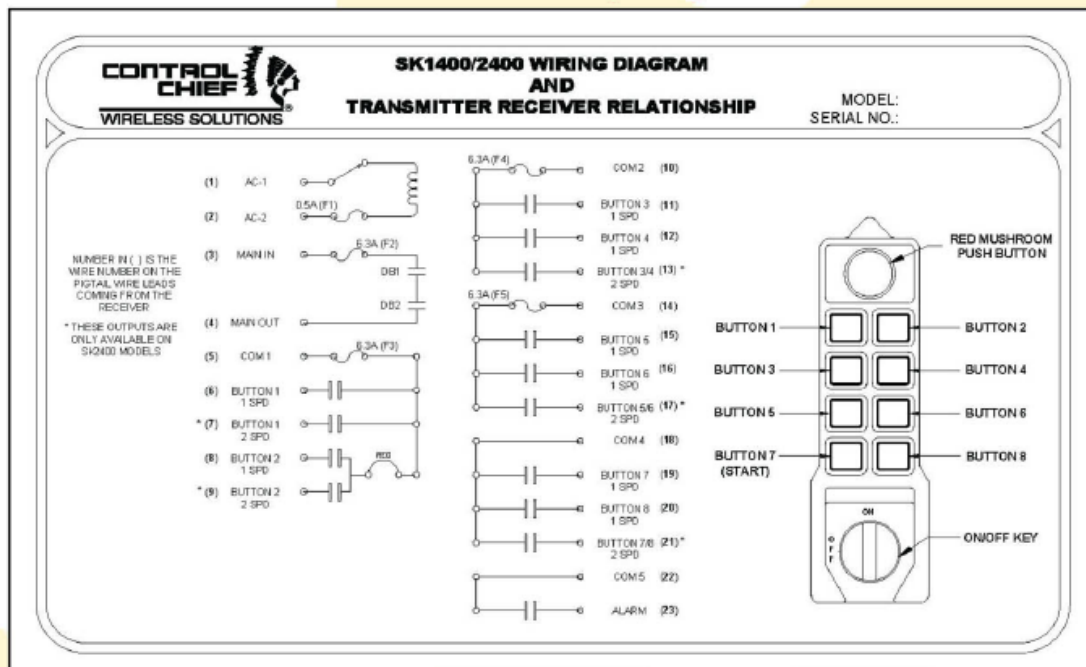
- Runs on 4 standard AA alkaline batteries
- Emission Power < 10mW
- Weight = 210 g (K1/K2)
- $1.95'' \times 2.15'' \times 6.42''$  (L x W x H)\*

### Receiver Specifications

- Multiple supply voltages: Available in AC or DC power
- Weight = 2100 g (K1/K2) w/ cable
- $6.25'' \times 6.625'' \times 7.155''$  (L x W x H)\*

\* Dimensional drawings available upon request.

### Receiver Wiring Diagram



Wiring diagrams for reference only - not for installation

**CONTROL CHIEF**

**WIRELESS SOLUTIONS**

[www.GulfAtlanticEquipment.com](http://www.GulfAtlanticEquipment.com)



**Gulf Atlantic**

INDUSTRIAL EQUIPMENT INC.

P. O. Box 2169  
Crystal River, FL 34423  
(800) 792-7427

Product specification (for reference only) subject to change without notice. Consult the factory for verification

[Info@GulfAtlanticEquipment.com](mailto:Info@GulfAtlanticEquipment.com)