

UNIVERSAL LIMEMASTER CRUSHER

(800) 792-7427
(352) 628-6674



The Universal LimeMaster is a rugged machine designed specifically to meet the rigorous task of fine-grinding limestone to meet Ag-Lime specifications. The Universal LimeMaster is a dual action crusher providing an initial pulverizing action in the upper chamber as the material rebounds along several impact blocks. Fast moving hammers then sweep the material past an adjustable stripper bar and through the large grate area in the lower crushing chamber for precise sizing and product control. Adjustable bearing pads and step-out holes in the rotor assembly add to the versatility and maintenance-saving features of this crusher. The Universal LimeMaster produces finely milled Ag-Lime efficiently and economically, adding profit to your bottom line.

Standard Design Features:

- Welded steel base.
- Hinged cover with manganese impact breaker blocks.
- Sectionized abrasion resistant steel liners.
- Adjustable manganese stripper bar.
- Lower clean out doors on both sides of crusher.
- Concentric grate circle with 3/16" manganese steel grates.
- Rotor assembly includes alloy steel shaft with spherical roller bearings mounted on adjustable bearing pedestal and pads; up running design.
- 2-1/2" thick rotor discs with step-out holes for 2 or 3 rows of reversible 60 lb. manganese bullhead hammers. (4242 does not have step-out holes.)



Optional Equipment Available:

- Motor sheave
- V-belts
- Drive guard
- Alternate grate combinations available - consult factory
- Electric motor

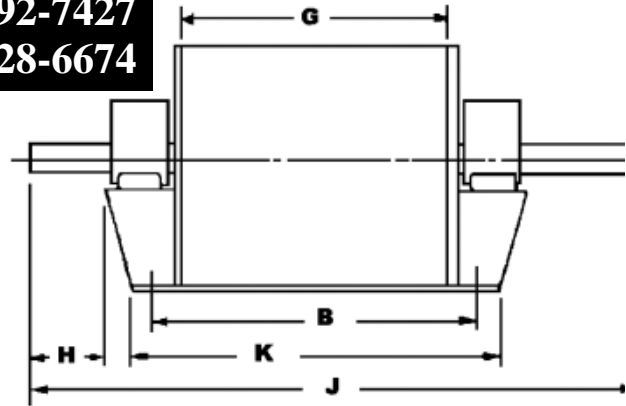
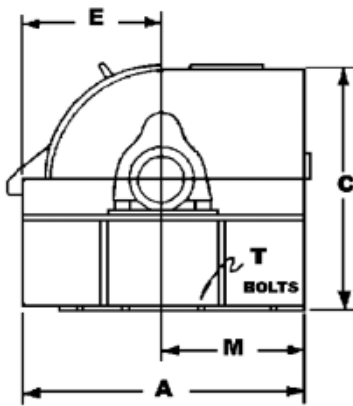
**CONTACT YOUR
UNIVERSAL DEALER**



INDUSTRIAL EQUIPMENT INCORPORATED
Concrete, Aggregate, and Material Handling Equipment
Concrete Solutions with Rock Solid Results
800-792-7427

**Info@
GulfAtlanticEquipment.com**

(800) 792-7427
(352) 628-6674



DIMENSIONS

LIMEMASTER MODEL		A	B	C	E	G	H	J	K	M	T
2636	in mm	53.63 1,362.2	33.00 838.2	52.19 1,325.6	26.75 679.4	26.00 660.4	12.00 304.8	75.00 1,905.0	39.00 990.6	26.88 682.6	1.00 25.4
4136	in mm	53.63 1,362.2	48.38 1,228.7	52.19 1,325.6	26.75 679.4	41.38 1,050.9	14.75 374.6	96.00 2,438.4	54.38 1,381.1	26.88 682.6	1.00 25.4
4242	in mm	59.63 1,514.4	48.38 1,228.7	58.50 1,485.9	29.75 755.6	43.38 1,101.7	14.75 374.6	100.00 2,540.0	54.38 1,381.1	29.88 758.8	1.00 25.4

SPECIFICATIONS

LimeMaster Model		2636	4136	4242
Feed Opening	in mm	13 x 26 330 x 660	13 x 41 330 x 1,041	13 x 42 330 x 1,066
Capacity - 3/16" (4.83 mm) Lime Dust	STPH MTPH	30 - 50 27 - 45	45 - 75 41 - 68	55 - 85 50 - 77
Weight	lb kg	9,500 4,310	13,000 5,897	17,000 7,710
Speed - AgLime	RPM	1,800	1,800	1,500
Horsepower (Electric)	HP	250	400	500
Hammers: Weight Material	lb(kg)	60 (27.24) Manganese	60 (27.24) Manganese	60 (27.24) Manganese
Hammer Circle Diameter	in mm	36.00 914.4	36.00 914.4	42.00 1,066.8

Capacity based on processing a dry, high-calcium limestone with a maximum feed size up to 1-1/2" with the following gradation for Ag-Lime. Gradation will vary with material.

**CONTACT YOUR UNIVERSAL DEALER
DEALER TODAY:**



Info@GulfAtlanticEquipment.com

CAPACITY BASED ON FEED SIZE -1-1/2" (38mm)

-4 Mesh	100%
#8 Mesh	98%
#30 Mesh	78%
#50 Mesh	63%
#100 Mesh	47%
#200 Mesh	35%

The information contained herein is general in nature and is not intended for specific construction, installation or application purposes. Predictions of actual performance of a given piece of equipment should take into account the many variable field factors, no warranty of any kind, expressed or implied, is extended by presenting the generalized data herein. We reserve the right to make changes in specifications shown herein or add improvements at any time without notice or obligation.